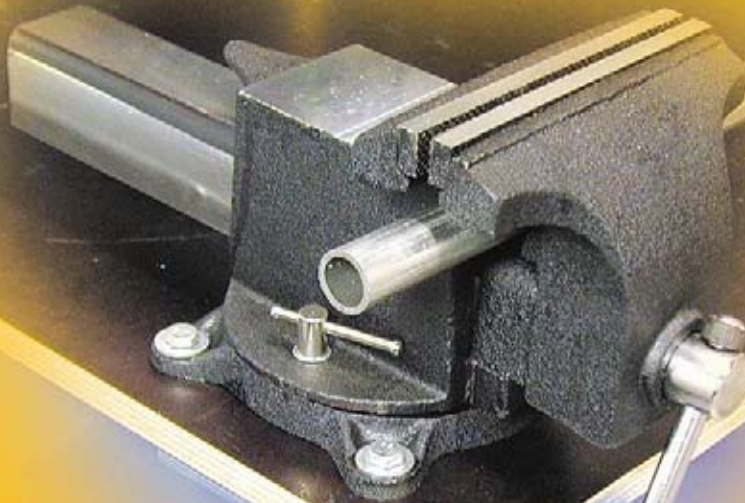




www.ikh.fi

CLAMPS, VICES





www.ikh.fi

8. CLAMPS, VICES

| | |
|----------------------------|-----|
| Angle press | 4 |
| Band clamp..... | 4 |
| Clamps | 2-4 |
| Clamps/spreaders | 3 |
| Cross vices | 5 |
| General use clamps..... | 2,3 |
| Machine vices..... | 5 |
| Multi-purpose magnets..... | 4 |
| Power clamps | 3 |
| Quick clamps..... | 2 |
| Table vices..... | 5 |
| Toggle clamps | 4 |
| Universal vice | 4 |
| Welding angle press | 4 |



Quality for clamping!



GENERAL USE CLAMPS



- made of medium-carbon steel, heat-treated, nickel and chrome plated
- pivoting handle to increase the clamping pressure
- for general use

| Order no. | Size (mm) | Rail (mm) | Weight (kg) | Pack.size | EAN |
|-----------|-----------|-----------|-------------|-----------|---------------|
| XREG16C | 160x80 | 16x7,5 | 0,59 | /10 | 6418914609341 |
| XREG20C | 200x100 | 19,5x9,5 | 0,98 | /10 | 6418914609358 |
| XREG25C | 250x120 | 22x10,5 | 1,33 | /10 | 6418914609365 |
| XREG30C | 300x140 | 25x12 | 1,98 | /10 | 6418914609372 |
| XRESG40C | 400x120 | 25x12 | 2,04 | /10 | 6418914609389 |
| XRESG50C | 500x120 | 25x12 | 2,25 | /10 | 6418914609396 |
| XRESG60C | 600x120 | 25x12 | 2,46 | /10 | 6418914609402 |
| XRESG80C | 800x120 | 27x13 | 3,40 | /6 | 6418914609419 |
| XRESG100C | 1000x120 | 27x13 | 3,88 | /6 | 6418914609426 |
| XRESG125C | 1250x120 | 27x13 | 4,50 | /4 | 6418914609433 |
| XRESG150C | 1500x120 | 27x13 | 5,11 | /4 | 6418914609440 |
| XREG40C | 400x175 | 27x13 | 2,70 | /10 | 6418914609457 |
| XREG60C | 600x175 | 27x13 | 3,19 | /10 | 6418914609464 |
| XREG80C | 800x175 | 27x13 | 3,68 | /6 | 6418914609471 |



QUICK CLAMPS



- made of medium-carbon steel, heat-treated, nickel and chrome plated
- for high pressure and quick clamping

| Order no. | Size (mm) | Rail (mm) | Weight (kg) | Pack.size | EAN |
|-----------|-----------|-----------|-------------|-----------|---------------|
| XG16L | 160x80 | 16x7,5 | 0,54 | /10 | 6418914609488 |
| XG20L | 200x100 | 19,5x9,5 | 1,00 | /10 | 6418914609495 |
| XG25L | 250x120 | 22x10,5 | 1,62 | /10 | 6418914609501 |
| XG30L | 300x140 | 25x12 | 2,42 | /10 | 6418914609518 |
| XG40L | 400x120 | 25x12 | 2,55 | /10 | 6418914609525 |
| XG50L | 500x120 | 25x12 | 2,76 | /10 | 6418914609532 |
| XG60L | 600x120 | 25x12 | 2,97 | /10 | 6418914609549 |
| XG80L | 800x120 | 27x13 | 3,08 | /6 | 6418914609556 |



CLAMPS



- made of medium-carbon steel, heat-treated, nickel and chrome plated
- steel T-spindle to provide extra clamping force
- textured surface for maximum safety

| Order no. | Size (mm) | Rail (mm) | Weight (kg) | Pack.size | EAN |
|-----------|-----------|-----------|-------------|-----------|---------------|
| XS15C6 | 150x60 | 19,5x9,5 | 0,80 | /10 | 6418914609570 |
| XS20C8 | 200x80 | 22x10,5 | 1,10 | /12 | 6418914609587 |
| XS20C10 | 200x100 | 25x12 | 1,50 | /12 | 6418914609594 |
| XS25C10 | 250x100 | 25x12 | 1,61 | /12 | 6418914609600 |
| XS30C10 | 300x100 | 25x12 | 1,72 | /12 | 6418914609617 |



CLAMPS



- made of medium-carbon steel, heat-treated, nickel and chrome plated
- steel T-spindle to provide extra clamping force
- clamping pads replaceable

| Order no. | Size (mm) | Rail (mm) | Weight (kg) | Pack.size | EAN |
|-----------|-----------|-----------|-------------|-----------|---------------|
| XS20C12 | 200x120 | 27x13 | 1,97 | /10 | 6418914609624 |
| XS25C12 | 250x120 | 27x13 | 2,09 | /10 | 6418914609631 |
| XS30C12 | 300x120 | 27x13 | 2,21 | /10 | 6418914609648 |
| XS40C12 | 400x120 | 27x13 | 2,46 | /10 | 6418914609655 |
| XS50C12 | 500x120 | 27x13 | 2,71 | /10 | 6418914609662 |
| XS60C12 | 600x120 | 27x13 | 2,96 | /10 | 6418914609679 |

CLAMPS

- sliding arm made of drop-forged steel, heat-treated and bright-zinc galvanized
- rail with load-independent action mechanism, maximum reliability and longevity
- high-quality and easily threading spindle
- special, easily replaceable pressure pad with integrated spindle lock



- 25% more powerful grip than conventional grips, handy and ergonomic shape, made of good-grip beechwood

TURNUS



| Order no. | Opening/throat depth mm | Rail mm | Nominal clamping strength kg | Pack. size | EAN |
|-----------|-------------------------|------------|------------------------------|------------|---------------|
| KU470012 | 120 x 60 | 13,5 x 6,5 | 0,30 | 1/10 | 4027474536527 |
| KU470016 | 160 x 80 | 16 x 7,5 | 0,50 | 1/10 | 4027474536602 |
| KU470020 | 200 x 120 | 19,5 x 9,5 | 0,90 | 1/10 | 4027474536787 |
| KU470025 | 250 x 120 | 22 x 10,5 | 1,30 | 1/10 | 4027474536862 |
| KU470030 | 300 x 120 | 25 x 12 | 1,80 | 1/10 | 4027474536947 |
| KU470040 | 400 x 120 | 25 x 12 | 1,90 | 1/5 | 4027474537029 |
| KU470050 | 500 x 120 | 25 x 12 | 2,20 | 1/5 | 4027474537104 |
| KU470060 | 600 x 120 | 25 x 12 | 2,40 | 1/5 | 4027474537289 |
| KU470080 | 800 x 120 | 25 x 12 | 3,30 | 1/5 | 4027474537364 |
| KU470100 | 1000 x 120 | 27 x 13 | 3,80 | 1/5 | 4027474537449 |
| KU470125 | 1250 x 120 | 27 x 13 | 4,40 | 1 | 4027474537517 |

CLAMPS

- both arm and rail made of die-forged steel



- high-quality and easily threading spindle

TURNUS



| Order no. | Opening/throat depth mm | Rail mm | Packing size | EAN |
|-----------|-------------------------|------------|--------------|---------------|
| KU469012 | 120 x 60 | 13,5 x 6,5 | 1/10 | 4027474706562 |
| KU469016 | 160 x 80 | 16 x 7,5 | 1/10 | 4027474706647 |
| KU469020 | 200 x 120 | 19,5 x 9,5 | 1/10 | 4027474706722 |
| KU469025 | 250 x 120 | 22 x 10,5 | 1/10 | 4027474706807 |
| KU469030 | 300 x 140 | 25 x 12 | 1/10 | 4027474706982 |
| KU469040 | 400 x 120 | 25 x 12 | 1/5 | 4027474707064 |
| KU469060 | 600 x 120 | 25 x 12 | 1/5 | 4027474707224 |

CLAMPS



IRWIN



T-BAR CLAMPS

- resist twisting and distortion under clamping pressures up to 1,9 tons
- both the head and slide are guaranteed unbreakable
- packing size: 1



| Order no. | Size mm | Packing size | EAN |
|------------|------------|--------------|---------------|
| XKL080150 | 80 x 150 | /50 | 6418914622708 |
| XKL120250 | 120 x 250 | /10 | 6418914622715 |
| XKL120400 | 120 x 400 | /10 | 6418914622722 |
| XKL120600 | 120 x 600 | /10 | 6418914622739 |
| XKL1201200 | 120 x 1200 | /6 | 6418914622746 |
| XKL1201500 | 120 x 1500 | /4 | 6418914622753 |

| Order no. | Capacity | Rail length | EAN |
|-----------|----------|-------------|---------------|
| AM011 | 1070 mm | 1220 mm | 0734442034087 |
| AM012 | 1680 mm | 1830 mm | 0734442034445 |



CLAMPS / SPREADERS

- non-marking pads – get a firm grip without damaging the surface
- steel bar
- one handed clamping and quick release trigger
- can easily be changed from clamp to spreader
- packing size: /10



| Order no. | Clamp capacity | Spreading capacity | Throat depth | EAN |
|-----------|----------------|--------------------|--------------|---------------|
| IKH7239 | 150 mm | 165-355 mm | 65 mm | 6418914507968 |
| IKH7240 | 300 mm | 165-510 mm | 65 mm | 6418914507975 |
| IKH7241 | 450 mm | 165-660 mm | 85 mm | 6418914507982 |
| IKH7242 | 600 mm | 165-815 mm | 85 mm | 6418914507999 |
| IKH7243 | 900 mm | 165-1120 mm | 85 mm | 6418914508002 |



POWER CLAMPS

- pivoting rubberized jaws hold tight even on irregular surfaces
- jaw design grips also round objects such as pipes etc.
- durable nylon construction
- unique stepless pressure control design allows virtually any pressure position desired
- easy one hand application
- comfortable grip
- quick one finger pressure release

| Order no. | Size | Jaw capacity | Pack. size | EAN |
|-----------|--------|--------------|------------|---------------|
| IKH7236 | 125 mm | 38 mm | 1/12/72 | 6418914507937 |
| IKH7237 | 175 mm | 58 mm | 1/12/48 | 6418914507944 |
| IKH7238 | 225 mm | 100 mm | 1/12/48 | 6418914507951 |



BAND CLAMP

TPG95700

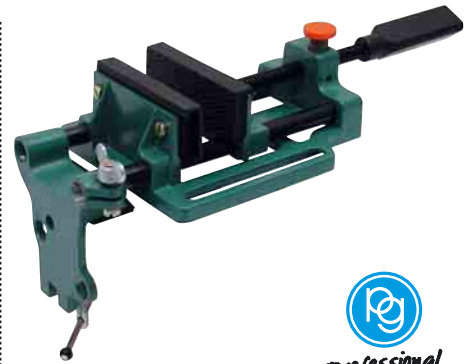
- length of band 4 m
- packing size: 1/25
- EAN 8011017957005



UNIVERSAL VICE

TPG95400

- 70 mm jaws
- packing size: 1/7
- EAN 8011017954004



**UNIVERSAL VICE
table mounting**

TPG95410

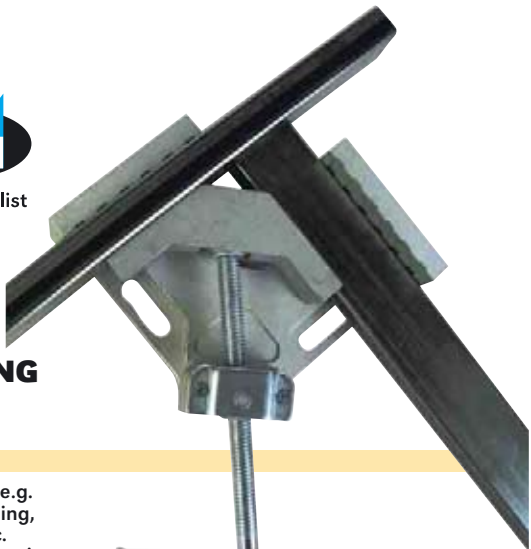
- 100 mm jaws
- jaws with rubber covers
- packing size: 1/7
- EAN 8011017954103



**ANGLE PRESS
90°**

TPG95500

- 70 mm jaws
- packing size: 1/20
- EAN 8011017955001



**WELDING
ANGLE
PRESS**

XTH1211

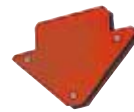
- necessary e.g. when welding, drilling etc.
- also for pressing different sized pipes due to flatable position adjustment
- packing size: 1/20
- EAN 6418914607637



MULTI-PURPOSE MAGNETS



- strong magnet keeps your hands free e.g. when assembling, soldering etc.
- 8 magnet surfaces
- angles 45°, 90°, 135°



75 mm

X7601

- packing size: 1/15/60
- EAN 6418914607941



90 mm

X7601A

- demagnetization
- packing size: 1/12/24
- EAN 6418914607958



CLAMPS

- packing size: 1



**ADJUSTABLE HEIGHT
TOGGLE CLAMPS**



| Order no. | Type | EAN | Order no. | Size mm | Rail mm | Weight kg | Pack. size | EAN |
|-----------|---------------|---------------|-----------|----------|-----------|-----------|------------|---------------|
| XK6003 | flanged | 6418914512863 | XAT1C | 110 x 40 | 16 x 7,5 | 0,67 | /30 | 6418914609761 |
| XK6004 | straight base | 6418914512870 | XAT2C | 130 x 75 | 22 x 10,5 | 1,94 | /12 | 6418914609778 |

IRWIN
Record.



MACHINE VICE 100 mm

AM010

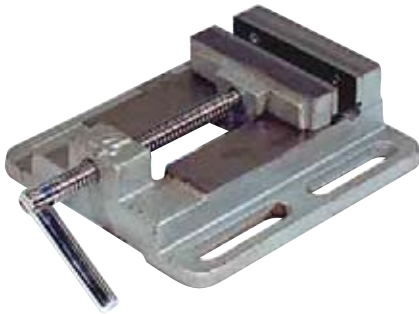
- the sliding jaw is a non-lifting swivel type capable of holding any shape of workpiece
 - the slotted base enables the vise to be bolted to drill tables
 - the base, end face and side faces are machined
 - a loose tommy bar for screw adjustment
 - jaw width 100 mm
 - jaw max. opening 80 mm
 - jaw depth 32 mm
 - packing size: 1
- EAN 0734442001560



MACHINE VICES

- turnable 360°
- body made of cast iron
- packing size: 1

| Order no. | Jaw width | Jaw opening | Outer dimensions | EAN |
|-----------|-----------|-------------|------------------|---------------|
| IKH7048 | 100 mm | 110 mm | L320, W220, H133 | 6418914615861 |
| IKH7049 | 150 mm | 150 mm | L430, W290, H161 | 6418914615878 |



MACHINE VICES

| Order no. | Size | Packing size | EAN |
|-----------|--------|--------------|---------------|
| XK4003 | 75 mm | 1/10 | 6418914615861 |
| XK4004 | 100 mm | 1/10 | 6418914615878 |
| XK4006 | 150 mm | 1/6 | 6418914615885 |



CROSS VICES

| Order no. | Size | Packing size | EAN |
|-----------|--------|--------------|---------------|
| X005060 | 100 mm | 1 | 6418914149335 |
| X005061 | 150 mm | 1 | 6418914149342 |

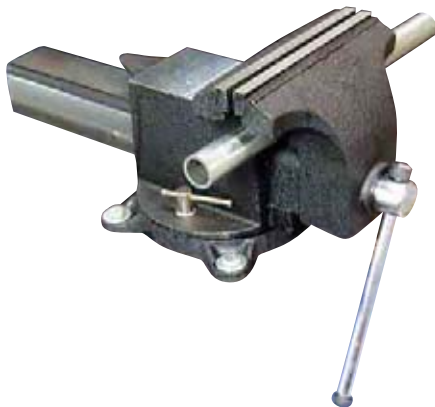


TABLE VICES

- swivel base
- anvil
- also tube jaws
- packing size: 1

| Order no. | Size | EAN |
|-----------|--------|---------------|
| X005043 | 100 mm | 6418914149274 |
| X005043C | 125 mm | 6418914618756 |
| X005043A | 150 mm | 6418914149281 |
| X005043B | 200 mm | 6418914149298 |



**TABLE VICES
Light Duty**

- swivel base
- with anvil

| Order no. | Size | Packing size | EAN |
|-----------|--------|--------------|---------------|
| XK4100 | 100 mm | /2 | 6418914621640 |
| XK4101 | 125 mm | 1 | 6418914621657 |
| XK4102 | 150 mm | 1 | 6418914621664 |